

Indian Institute of Technology, Kanpur
National Wind Tunnel Facility

Enquiry No. NWTF/IITK/2016-17/09_Revised

Date: Jan05, 2017

Closing Date: Jan. 23, 2017

Sealed Quotations are invited for the supply of a Six Component Strain Gage Balance with the following specifications and attached detailed balance part drawing from the reputed manufacturer/authorized dealers/suppliers:

Item Details: Six Component Strain Gage Balance, Quantity - One		
Specifications	Range	Measurement Accuracy
Axial Force (AF)	75kg	0.25%
Normal Force N1 & N2	250kg	0.25%
Side Force S1 & S2	100kg	0.25%
Rolling Moment (RM)	36kgm	0.5%
Dimension	50mm Diameter, 325mm Length with tapered ends and key locking arrangement	
Accessories Required	1. Balance Calibration Body - 1No. 2. Dummy Balance (50mm Diameter, 325mm Length) - 1No. 3. Balance Packing Box	

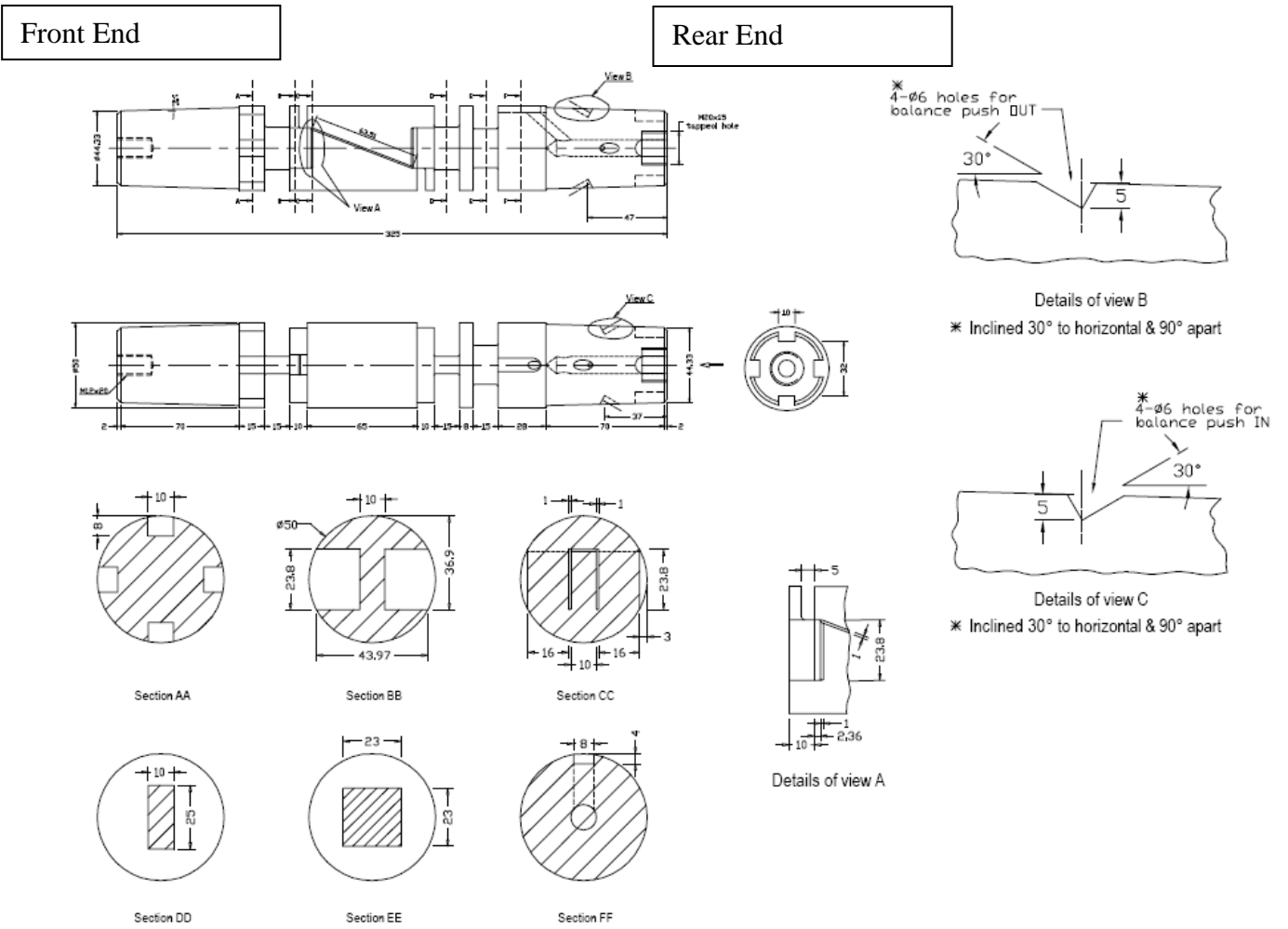
Terms and Conditions for Supply of the Items listed in the above Table:

1. All sealed quotations should reach the undersigned by **Jan. 23, 2017**.
2. Validity of the Quotations should be at least for **60 days**.
3. Delivery Period within **8-12 weeks** from date of Purchase Order.
4. For the supply of the items, the vendors/suppliers are required to provide dealership/ authorization certificate for the supply of the items.
5. Please quote giving unit price for the items. Quantity of the item to be purchased may increase or decrease.
6. The prices offered should be for free delivery at IIT Kanpur and should include installation charges (if any).
7. Please mention tax rates clearly, if applicable.
8. The supplied item should have at least **One Year Warranty**.
9. IIT Kanpur is exempted from excise duty.
10. Payment Terms: 100% after delivery of item and inspection.

Address for the Quotation:

Dr. Chaturi Singh
Senior Research Engineer
National Wind Tunnel Facility
Indian Institute of Technology Kanpur
Kanpur-208016

Balance parts drawing



- View B and view C holes are for mounting and un-mounting Rear adapter
- M12 holes are for front adapter mounting

